

Ref. Nr. 150.666



**LCP-48 LED COLOR PANEL
48X 1W RGB**

MANUAL

Thank you for purchasing our company products. Please read these instructions carefully to enjoy optimum performance and a longer service life before you start to use.

CONTENTS

CONTENTS 2

Unpacking Inspections 3

 Unpacking instructions 3

 Checking the contents of the carton:..... 3

Safety Instructions 3

Product Overview 4

Functions Introductions 4

 Main Functions 4

Operation Instructions 5

 Functions for control panel 5

 Master/Slave mode..... 6

 Master/Slave connection 6

 Sound Active Mode 6

 Automatic Mode..... 6

 Controlled by DMX512 7

 DMX Value Functions..... 8

 27 Channel mode 8

 15 Channel mode 9

 9 Channel mode 9

 6 Channel mode 9

 3 Channel mode 10

Maintenance 10

Specification 10

CE & R&TTE Declaration of Conformity..... 11

UNPACKING INSPECTIONS

Unpacking instructions

- Please unpack the carton and check the goods carefully when you receive it , if discover packing damage, shortage or quality problem, please notify the shipper and reject the goods.
- Before using this product, please read the instructions carefully and keep it in a safe place for future reference.

Checking the contents of the carton:

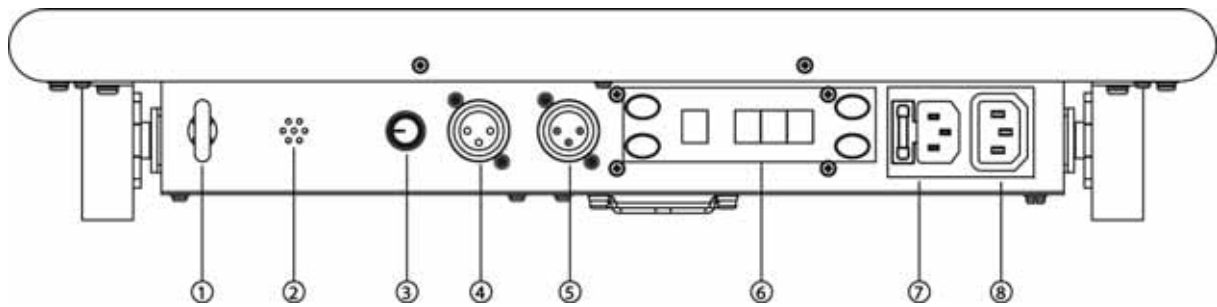
The product, Power cord, Instruction Manual



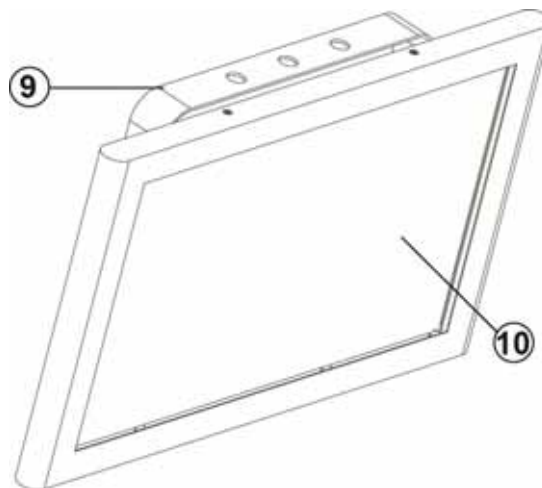
SAFETY INSTRUCTIONS

- Safety and regulatory power socket with high quality output should be used .
- Always connect the product to a grounded circuit to avoid the risk of electrocution.
- Never put tiny metal objects such as a screwdriver, iron wire and coins, etc. into the internal or stretch into the machine in case of short circuit .
- Please make sure to connect the proper voltage and do not higher or lower than that stated on the decal or rear panel of the product .
- Avoid hitting, crashing or squeezing with other objects in transportation. Never carry the product from the power cord or any moving part . Always use the hanging / mounting bracket or the handles.
- The product is used in door only .
- Never pull or tug on the cord and change it for another one , stop using it when it is damaged or becomes hot .
- Stop using the product once there is sparks when connecting with the power plug .
- Can not operate product with wet hands and never place it near the water or other liquid.
- Make sure there are no flammable materials close to the fixture while operating . Always install it in a location with adequate ventilation.
- Never replace the lighting source with different specification and rating when the original one is damaged.
- Make sure to power off before replacing the light source or the fuse. Never do it while it is on.
- The ambient temperature is no more than 40°C(104°F) .
- Never clean the fixture by water, thinner or other dissolved agent .
- Stop using the product in case of a serious operating problem and send it to our maintenance agent immediately. Never repair by non-professional workers .
- Avoid direct eye exposure to the light source while the product is on.

PRODUCT OVERVIEW



- | | |
|---------------------------------|--------------------|
| 1. Safety eyebolt | 6. Control panel |
| 2. Microphone | 7. Power input |
| 3. Sound sensitivity adjustment | 8. Power output |
| 4. DMX signal output | 9. Hanging bracket |
| 5. DMX signal input | 10. LEDs |



FUNCTIONS INTRODUCTIONS

Main Functions

- 3,6,9,15 & 27 DMX channels
- Automatic, sound active and master/slave mode
- Built-in 24 actions, individual control of RGB LEDs. running and strobe speed can be adjusted.
- With static colors, strobe, color mixing, chasing and fade effect.

OPERATION INSTRUCTIONS

Operation instructions for control panel



BUTTON	FUNCTION
Mode	Select a function of mode
Enter	Confirm a function of mode and save
Up	Select increasing advancement in the value
Down	Select decreasing advancement in the value

The Control Panel shows the current state of the unit, it is used to select the operating mode ,as well as the sub-features. For a detailed layout of the control panel functions, please see the “menu map” section below.

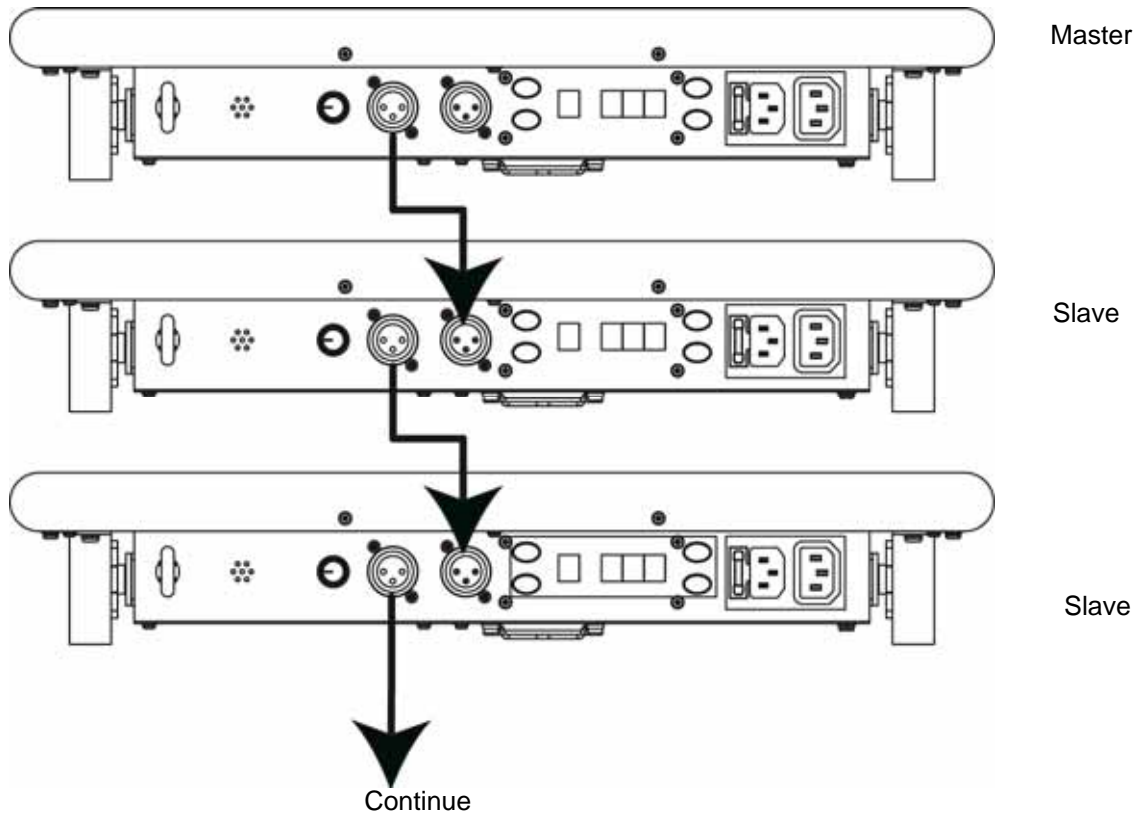
Functions for control panel

Menu	Program	Run Speed (P)	Strobe Speed (F)	Description
A	001		000 No Strobe	Red (static)
	002			Green (static)
	003			Blue (static)
	004			Yellow (static)
	005			Magenta (static)
	006			Cyan (static)
	007			White (static)
	008	000 Only sound-active	100 Sound-active strobe	Auto/Sound Mode 1
	009			Auto/Sound Mode 2
	010			Auto/Sound Mode 3
	011			Auto/Sound Mode 4
	012		Auto/Sound Mode 5	
	013		Auto/Sound Mode 6	
	014		Auto/Sound Mode 7	
	015		Auto/Sound Mode 8	
	016		Auto/Sound Mode 9	
	017		Auto/Sound Mode 10	
	018		Auto/Sound Mode 11	
	019		Auto/Sound Mode 12	
	020		Auto/Sound Mode 13	
	021		Auto/Sound Mode 14	
	022		Auto/Sound Mode 15	
	023		Auto/Sound Mode 16	
	024		Color Fade	
d	001 - 485			DMX address

Master/Slave mode

The first unit is master without signal of DMX ,the others connected are slave units and follow the actions of Master.

Master/Slave connection



Sound Active Mode

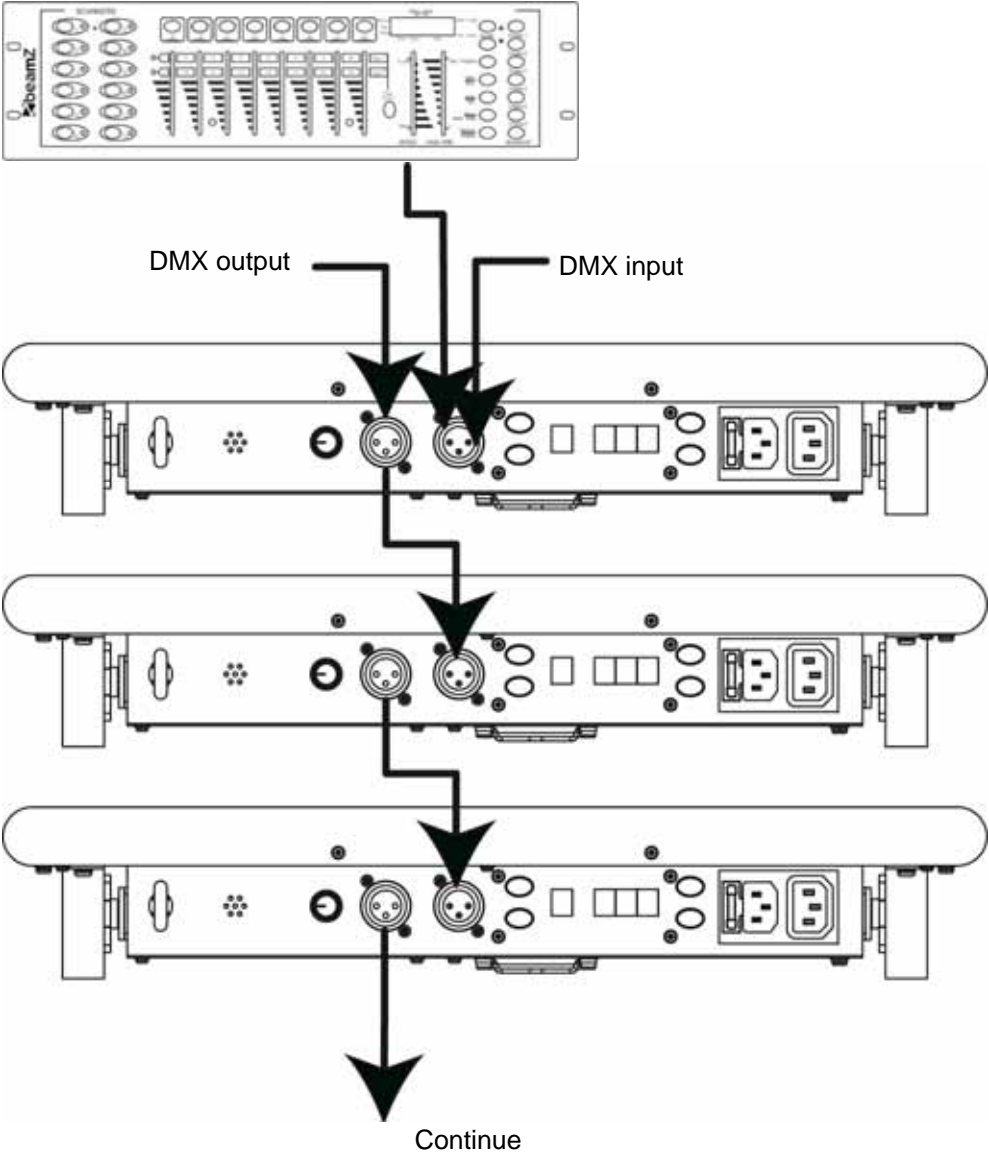
It is sound active with music, without sound controlling when running speed is zero, it stops. Running; when strobe speed is zero, no strobe; when strobe speed is one hundred, strobe by sound.

Automatic Mode

Turn off the sound sensitivity adjustment knob or music, the product displays current actions automatically.

Controlled by DMX512

Follow below picture and power on all connected at the same time. The products will be controlled once the address is set up.



DMX Value Functions

27 Channel mode

CHANNEL	VALUE	FUNCTION	SECTION / NOTES
1	000 – 019	27 Channel Mode	Set this channel between these values for this mode
2			This Channel is not used for this mode
3	000 – 002	Strobe	No Strobe
	003 – 249		Slow -> Fast
	250 – 255		Sound-Active (static color only)
4	000 – 255	Red	Section 1
5	000 – 255	Green	
6	000 – 255	Blue	
7	000 – 255	Red	Section 2
8	000 – 255	Green	
9	000 – 255	Blue	
10	000 – 255	Red	Section 3
11	000 – 255	Green	
12	000 – 255	Blue	
13	000 – 255	Red	Section 4
14	000 – 255	Green	
15	000 – 255	Blue	
16	000 – 255	Red	Section 5
17	000 – 255	Green	
18	000 – 255	Blue	
19	000 – 255	Red	Section 6
20	000 – 255	Green	
21	000 – 255	Blue	
22	000 – 255	Red	Section 7
23	000 – 255	Green	
24	000 – 255	Blue	
25	000 – 255	Red	Section 8
26	000 – 255	Green	
27	000 – 255	Blue	

15 Channel mode

CHANNEL	VALUE	FUNCTION	SECTION / NOTES
1	020 – 039	15 Channel Mode	Set this channel between these values for this mode
2			This Channel is not used for this mode
3	000 – 002	Strobe	No Strobe
	003 – 249		Slow -> Fast
	250 – 255		Sound-Active (static color only)
4	000 – 255	Red	Section 1
5	000 – 255	Green	
6	000 – 255	Blue	
7	000 – 255	Red	Section 2
8	000 – 255	Green	
9	000 – 255	Blue	
10	000 – 255	Red	Section 3
11	000 – 255	Green	
12	000 – 255	Blue	
13	000 – 255	Red	Section 4
14	000 – 255	Green	
15	000 – 255	Blue	

9 Channel mode

CHANNEL	VALUE	FUNCTION	SECTION / NOTES
1	040 – 059	9 Channel Mode	Set this channel between these values for this mode
2			This Channel is not used for this mode
3	000 – 002	Strobe	No Strobe
	003 – 249		Slow -> Fast
	250 – 255		Sound-Active (static color only)
4	000 – 255	Red	Section 1
5	000 – 255	Green	
6	000 – 255	Blue	
7	000 – 255	Red	Section 2
8	000 – 255	Green	
9	000 – 255	Blue	

6 Channel mode

CHANNEL	VALUE	FUNCTION	SECTION / NOTES
1	060 – 079	6 Channel Mode	Set this channel between these values for this mode
2			This Channel is not used for this mode
3	000 – 002	Strobe	No Strobe
	003 – 249		Slow -> Fast
	250 – 255		Sound-Active (static color only)
4	000 – 255	Red	Section 1
5	000 – 255	Green	
6	000 – 255	Blue	

3 Channel mode

CHANNEL	VALUE	FUNCTION
1	080 – 089	Auto Sound Mode 1
	090 – 099	Auto Sound Mode 2
	100 – 109	Auto Sound Mode 3
	110 – 119	Auto Sound Mode 4
	120 – 129	Auto Sound Mode 5
	130 – 139	Auto Sound Mode 6
	140 – 149	Auto Sound Mode 7
	150 – 159	Auto Sound Mode 8
	160 – 169	Auto Sound Mode 9
	170 – 179	Auto Sound Mode 10
	180 – 189	Auto Sound Mode 11
	190 – 199	Auto Sound Mode 12
	200 – 209	Auto Sound Mode 13
	210 – 219	Auto Sound Mode 14
	220 – 229	Auto Sound Mode 15
	230 – 239	Auto Sound Mode 16
	240 – 255	Auto Mode 1
2	000 – 249	Speed Fast -> Slow
	250 – 255	Speed stop
3	000 – 002	No strobe
	003 – 249	Strobe Slow -> Fast
	250 – 255	Strobe Sound Active

MAINTENANCE

The unit should be cleaned periodically to ensure the optimum performance, the smudginess can decrease the life of light and the output of light is affected by the dust which can make the machine overheating. In general, make the maintenance at least two times a month. Be sure to power off the unit before cleaning .

Do not clean until the unit recovers normal temperature since high temperature for using, use the lens tissue or soft cotton cloth with alcohol to wipe gently.

Cleaning frequency depends on the environment in which the fixture operates, damp, smoky or dirty surrounding can cause greater accumulation of dirt on the optics. Never rub or press strongly on the panel.

SPECIFICATION

Voltage..... 100-240V AC 50/60Hz
 Input current 2A
 Power..... 87W
 Fuse.....3.15A 250V
 Light source 48x 1W
 16x Red
 16x Green
 16x Blue
 Weight.....3.7kg
 Size.....L470 x W82 x H190mm



tronios
Sound & Light

CE & R&TTE DECLARATION OF CONFORMITY

Importer: TRONIOS BV
Bedrijvenpark Twente 415
7602 KM - ALMELO

Tel : 0031546589299
Fax : 0031546589298
The Netherlands

Product number: 150.666

Product Description: Beamz, LCP-48 LED Color Panel 48x 1W RGB

Regulatory Requirement: EN 60598-1/-2-17:2009
EN 62031:2008
EN 61347-2-13:2007
EN 62479:2010
EN 55015:2006/A2:2009
EN61547:2009

The product meets the requirements stated in the above mentioned Standards. This certificate does not cover the aspects that may be relevant such as performance and fitness for purpose.

Almelo,

10-03-2012

Signature:

Specifications and design are subject to change without prior notice..

www.tronios.com

Copyright © 2013 by TRONIOS the Netherlands