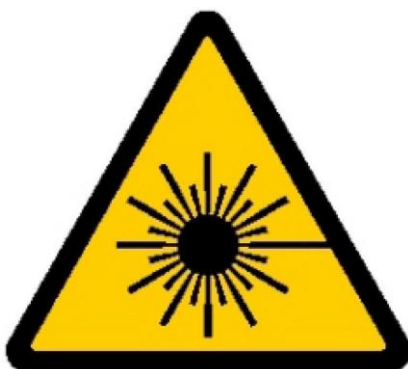


beamZ



CLASS 3B

LASER EFFECT

152.870

Instruction Manual
Gebruiksaanwijzing
Gebrauchsanleitung
Manuel D'instructions

V1.1

This manual contains important laser system safety and operation information. Read and understand all instructions prior to powering on laser unit the first time, to avoid laser eye injury and to avoid breaking the law. Keep this manual in a safe place for future reference.

Pls note! *The use in France is only allowed to the professional user and not to the enduser. See decision: www.legifrance.gouv.fr*

WARNING DATA

Lasers can be hazardous and have unique safety considerations. Permanent eye injury and blindness is possible if lasers are used incorrectly. Pay close attention to each safety REMARK and WARNING statement in the user manual. Read all instructions carefully BEFORE operating this device.



Attention!

Indicates a skill or other useful information for special situations.



Important!

Indicates important information to protect personnel from laser incident or injury.



Caution!

Prevent damage or injury from incorrect operation.



Laser!

Laser safety warning labels.



Recycle

To protect the environment, recycle packing material wherever possible.



Indoor

The projector is for indoor use only, IP20. Use only in dry locations. Keep this device away from rain and moisture, excessive heat, humidity and dust. Do not allow contact with water or other fluids.



Disposal

Don't throw this product away just as general trash, please dispose of this product following the abandon electronic product regulations in your area.



Location

The projector must be installed in a location with adequate ventilation, at least 50cm (20 inches) from adjacent surfaces. Be sure that no ventilation slots are blocked.

LASER SAFETY WARNINGS

Potential laser injury hazard exists with this product! Read these instructions carefully, which includes important information about installation, safe use and service!

Caution

- **Avoid direct eye contact with laser light. Never intentionally expose your eyes or others to direct laser light..**
- **This laser product can potentially cause instant eye injury or blindness if laser light directly strikes the eyes.**
- **It is illegal and dangerous to shine this laser into audience areas, where the audience or other personnel could get direct laser beams or bright reflections into their eyes.**
- **It is an offense to shine any laser at aircraft.**
- **There are no user serviceable parts inside the unit. Do not open the housing or attempt any repairs yourself. In the unlikely event your unit may require service, please contact your dealer..**
- **Use of controls or adjustments or performance of procedures other than those specified herein may result in hazardous radiation exposure.**

NON-INTERLOCKED HOUSING WARNING

This unit contains high power laser devices internally. Do not open the laser housing, due to potential exposure to unsafe levels of laser radiation. The laser power levels accessible if the unit is opened can cause instant blindness, skin burns and fires.

LASER SAFETY AND OPERATING INSTRUCTIONS

STOP AND READ ALL LASER SAFETY DATA

Laser Light is different from any other light source with which you may be familiar. The light from this product can potentially cause eye injury if not set up and used properly. Laser light is thousands of times more concentrated than light from any other kind of light source. This concentration of light power can cause instant eye injuries, primarily by burning the retina (the light sensitive portion at the back of the eye). Even if you cannot feel “heat” from a laser beam, it can still potentially injure or blind you or your audience. Even very small amounts of laser light are potentially hazardous even at long distances. Laser eye injuries can happen quicker than you can blink.

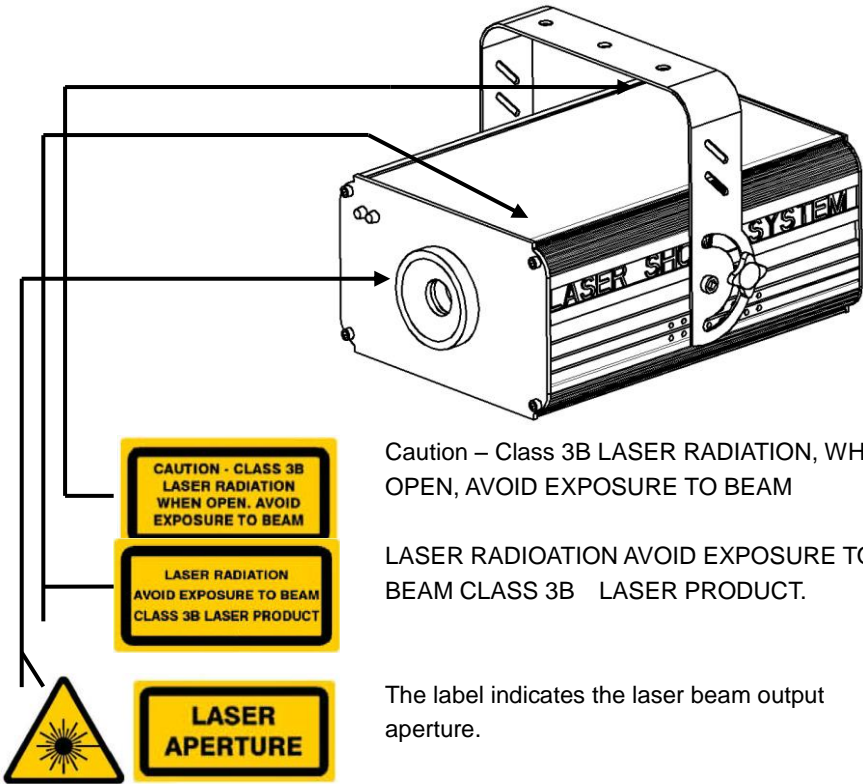
It is incorrect to think that because these laser entertainment products split the laser into hundreds of beams or laser beam is scanned out in high speed, that an individual laser beam is safe for eye exposure. This laser product uses dozens of mini Watts of laser power (Class 3B levels internally). Many of the individual beams are potentially

hazardous to the eyes.

It is also incorrect to assume that because the laser light is moving, it is safe. This is not true. Nor, do the laser beams always move. Since eye injuries can occur instantly, it is critical to prevent the possibility of any direct eye exposure. In the laser safety regulation, it is not legal to aim Class 3B lasers in areas which people can get exposed. This is true even if it is aimed below people's faces, such as on a dance floor.

- Do not operate laser without first reading and understanding all safety and technical data in this manual
- Always set up and install all laser effects so that all laser light is at least 3 meters (9.8 feet) above the floor on which people can stand. See section later in this manual
- After set up, and prior to public use test laser to ensure proper function. Do not use if any defect is detected. Do not use if laser emits only one or two laser beams rather than dozens/hundreds, as this could indicate damage to the diffraction grating optic, and could allow emission of higher laser levels.
- Do not point lasers at people or animals.
- Never look into the laser aperture or laser beams
- Do not point lasers in areas in which people can potentially get exposed, such as uncontrolled balconies, etc.
- Do not point lasers at highly reflective surfaces such as windows, mirrors and shiny metal. Even laser reflections can be hazardous.
- Never point a laser at aircraft, this is a federal offense
- Never point un-terminated laser beams into the sky
- Do not expose the output optic (aperture) to cleaning chemicals
- Do not use laser if the laser appears to be emitting only one or two beams
- Do not use laser if housing is damaged or open, or if optics appear damaged in any way.
- Never open the laser housing. The high laser power levels inside of the protective housing can start fires, burn skin and will cause instant eye injury.
- Never leave this device running unattended.
- The operation of a class 3B laser show laser is only allowed if the show is controlled by a skilled and well-trained operator familiar with the data included in this manual.
- The legal requirements for using laser entertainment products vary from country to country. The user is responsible for the legal requirements at the location/country of use.
- Always use appropriate lighting safety cables when hanging lights and effects overhead.

LASER SAFETY LABEL REPRODUCTIONS



Caution – Class 3B LASER RADIATION, WHEN OPEN, AVOID EXPOSURE TO BEAM

LASER RADIATION AVOID EXPOSURE TO BEAM CLASS 3B LASER PRODUCT.

The label indicates the laser beam output aperture.

LASER EXPOSURE WARNING



LASER LIGHT AVOID DIRECT EYE EXPOSURE

GENERAL SAFETY INSTRUCTIONS

Every person involved with installation and maintenance of this device have to:

- Be qualified
- Follow the instructions of this manual

CAUTION! Be careful with your operations. With a high voltage you can suffer a dangerous electric shock when touching the wires!

This device has left out premises in absolutely perfect condition. In order to maintain this condition and to ensure a safe operation, it is necessary for the user to follow the safety instructions and warning notes written in this manual.

Important!

The manufacturer will not accept liability for any resulting damages caused by the non-observance of this manual or any unauthorized modification to the device.

- Please consider that damages caused by manual modifications to the device are not subject to warranty.
- Never let the power-cord come into contact with other cables! Handle the power-cord and all connections with the mains with particular caution!
- Make sure that the available voltage is not higher than stated on the rear panel.
- Always plug in the power plug least. Make sure that the power-switch is set to off-position before you connect the device to the mains. The power-plug has to be accessed after installing the device.
- Make sure that the power-cord is never crimped or damaged by sharp edges. Check the device and the power-cord from time to time.
- Always disconnect from the mains, when the device is not in use or before cleaning it. Only handle the power-cord by the plug. Never pull out the plug by tugging the power-cord.
- It is essential to connect the yellow/green conductor to earth.
- The electric connection, repairs and servicing must be carried out by a qualified employee.
- Do not switch the fixture on and off in short intervals as this would reduce the laser diode life.
- For replacement, please use fuses of same type and rating only.
- If the device has been exposed to drastic temperature fluctuation, do not switch it on immediately. The arising condensation water might damage your device. Leave the device switched off until it has reached room temperature.
- Do not shake the device. Avoid brute force when installing or operating the device.
- When choosing the installation-spot, please make sure that the device is not exposed to extreme heat, moisture or dust. There should not be any cables lying around. You endanger your own and the safety of others!
- The minimum distance between the fixture and surrounding walls must be more than 50cm.
- Always fix the fixture with an appropriate safety-rope. Fix the safety-rope at the safety-rope only.

-
- The ambient temperature must be between 10°C to 40°C.
 - Please use the original packaging if the device is to be transported.
 - Please consider that unauthorized modifications on the device are forbidden due to safety reasons!

CAUTION! Operate the device only after having familiarized with its functions. Do not permit operation by persons not qualified for operating the device. Most damages are the result of unprofessional operation!

CAUTION! If this device will be operated in any way different to the one described in this manual, the product may suffer damages and the warranty void.

BEFORE OPERATION

Unpacking Instructions



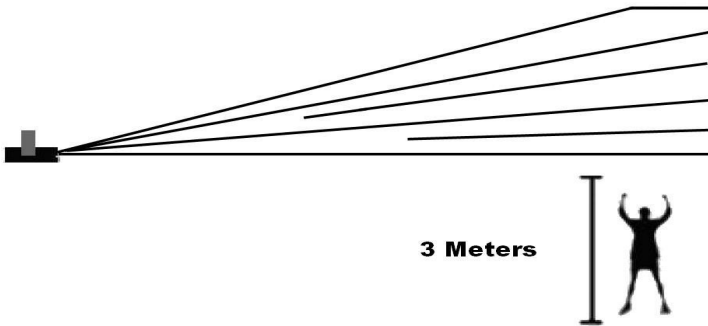
CAUTION!

Immediately upon receiving a fixture, carefully unpack the carton, check the contents to ensure that all parts are present, and have been received in good condition. Notify the shipper immediately and retain packing material for inspection if any parts appear damage from shipping or the package itself shows signs of mishandling. Save the package and all packing materials. In the event that a fixture must be returned to the factory, it is important that the fixture be returned in the original factory box and packing.

Proper Laser Set Up & Usage

This fixture has been designed to be hung. It is recommended for safety purposes, your lighting effect are properly mounted using a suitable hanging clamp and safety cable. Items appropriate for safe and effective mounting are easily sourced from your lighting vendor.

International laser safety regulations require that lasers must be operated in the fashion illustrated below, with a minimum of 3 meters (9.8 ft) of vertical separation between the floor and the lowest laser light vertically. Additionally, 2.5 meters of horizontal separation is required between laser light and audience or other public spaces.



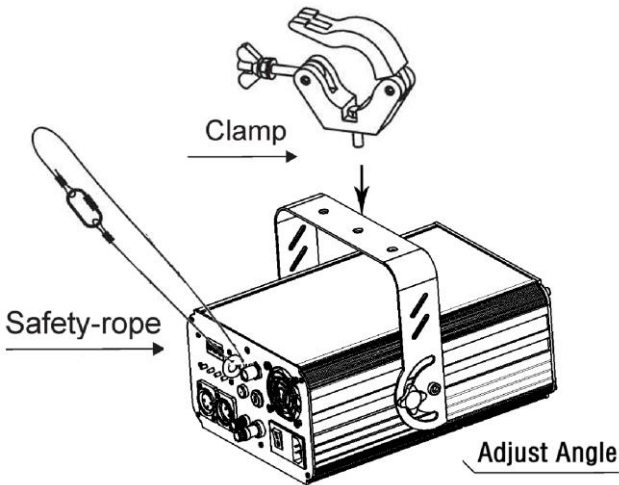
CAUTION: Use of controls, adjustments, or performance of procedures other than what is specified herein may result in hazardous radiation exposure

Rigging the Fixture

CAUTION: Please consider the respective national norms during the installation! The installation must only be carried out by an authorized employee or dealers!

- The installation of the fixture has to be built and constructed in a way that it can hold 10 times the weight for 1 hour without any harming deformation.
- The installation must always be secured with a secondary safety attachment, e.g. an appropriate catch net. This secondary safety attachment must be constructed in a way that no part of the installation can fall down if the main attachment fails.
- Make sure the area below the installation place is free from unwanted persons during rigging, de-rigging and servicing.
- The operator has to make sure that safety-relating and machine-technical installations are approved by an expert before taking into operation for the first time and after changes before taking into operation another time.
- The operator has to make sure that safety-relating and machine-technical installations are approved by a skilled person once a year.
- The fixture should be installed in the position where persons cannot reach and where persons may walk by or be seated.

CAUTION: When installing the device, make sure there is no highly inflammable material (decoration articles, etc.) in between a distance of min 0.5 meter.



PRODUCT OVERVIEW

- This device has left out premises in absolutely perfect condition. In order to maintain this condition and to ensure a safe operation, it is necessary for the user to follow the safety instructions and warning notes written in this manual.
- The manufacturer will not accept liability for any resulting damages caused by the non-observance of this manual or any unauthorized modification to the device.

CONTROL & FUNCTION

- Regular breaks during operation are essential to maximize the life of this device as it is not designed for continual use.
- Do not switch the unit on and off in short time intervals
- Always unplug the unit when it is not used for a longer time. Or before replacing the bulb or start servicing.
- In the event of serious operation problems, stop using the fixture and contact your dealer immediately.



Attention Laser will be output from laser aperture in 5 seconds after the unit is powered on.

MAINTENANCE

- Make sure the area below the installation place is free from unwanted persons during servicing
- Switch off the fixture, unplug the mains cable and wait until the unit has been cooled down.
- Housings, fixations and installations spots(ceiling, truss, suspensions) should be totally free from any deformation
- The mains cables must be in impeccable condition and should be replaced immediately when even a small problem is detected
- In order to protect the fixture from overheat the cooling fans (if any) and ventilation openings should be cleaned monthly.
- The cleaning of aperture glass and scanner mirrors must be carried out periodically to optimize light output. Cleaning frequency depends on the environment in which the fixture operates: damp, smoky or particularly dirty surroundings can cause greater accumulation of dirt on the unit's optics
 - 1) Clean with a soft cloth using normal glass cleaning products.
 - 2) Always dry the parts carefully.
 - 3) Clean the Aperture glass at least once every 30 days
- The interior of the fixture should be cleaned annually using a vacuum cleaner or air-jet.

ATTENTION: We strongly recommend internal cleaning to be carried out by qualified worker!

Specifications subject to change without prior notice.

The availability of particular products may vary by region. Please check with the dealer.

Attention! *L'utilisation en France est autorisée à l'utilisateur professionnel et non le consommateur. Consultez decret: www.legifrance.gouv.fr*

NEDERLANDS

Deze handleiding bevat belangrijke laser veiligheids informatie. Lees deze handleiding eerst door alvorens de laser te gebruiken om oogletsel te voorkomen en om de wet niet te overtreden. Bewaar deze handleiding als naslagwerk.

WAARSCHUWING

Lasers kunnen zeer gevaarlijk zijn en daarom moeten alle veiligheids voorschriften in acht worden genomen. Als lasers onjuist worden gebruikt kan oogletsel en zelfs blindheid optreden. Lees daarom alle veiligheids voorschriften en opmerkingen goed door in deze handleiding.



Attentie!

Geeft een vaardigheid weer of andere belangrijke informatie voor speciale situaties.



Belangrijk!

Geeft belangrijke informatie weer i.v.m. persoonsbescherming m.b.t een laserongeluk of letsel.



Voorzichtig!

Gebod om, beschadiging te voorkomen of, letsel i.v.m. onjuiste bediening te voorkomen



Laser!

Laser veiligheid waarschuwings label.



Recycle

Milieubescherming, recycle verpakkingsmateriaal daar waar mogelijk.



In huis

De laser mag alleen binnenshuis gebruikt worden, (IP20). Alleen in droge- en nooit in vochtige, natte ruimten gebruiken, mijd extreme hittebronnen en stof. Laat de laser nooit in contact komen met water of andere (chemische) vloeistoffen, reinigingsmiddelen enz.



WEEE

Gooi een defecte laser nooit bij het huisafval, maar lever deze in bij een inzamelingsplaats of een gemeentelijk depot. Een groot deel kan gerecycled worden.



Afstand

De laser moet in een goedgeventileerde ruimte gebruikt worden, en minstens 50cm van andere apparatuur of oppervlakken verwijderd zijn. Controleer altijd of ventilatiegaten open, en niet geblokkeerd zijn.

LASER VEILIGHEIDSVOORSCHRIFTEN

Het is mogelijk letsel op te lopen bij gebruik van de laser. Lees deze instructies goed door. Het geeft informatie over de installatie, veilig gebruik en service!

- De laserstraal kan oogletsel of blindheid veroorzaken.
- Het is verboden en gevaarlijk de laserstraal in het publiek te schijnen, of daar te schijnen waar reflecties het publiek bereiken.
- Het is verboden de laserstraal op vliegtuigen te richten.
- In de laserunit bevinden zich voor u geen onderdelen die door u gebruikt kunnen worden. Open daarom nooit de behuizing en probeer de unit nooit te repareren. Laat dit over aan gekwalificeerde vakmensen of stuur de unit naar uw dealer.
- Het afstellen of gebruik anders dan omschreven in deze handleiding kan leiden tot een gevaarlijke blootstelling aan ongewenste straling.

BLOOTSTELLING AAN ONDERDELEN

Deze unit bevat laseronderdelen met een hoog vermogen, onder spanning staande delen en delen die straling afgeven. OPEN daarom NOOIT de behuizing, *DIT KAN LEVENSGEVAARLIJK ZIJN*. Het kan ook blindheid, huidverbranding en brand veroorzaken.

LASER VEILIGHEID EN BEDIENING

STOP EN LEES ALLE LASER INFORMATIE

Laserlicht is anders dan ander licht wat u gewoon bent. Laserlicht kan n.l. (oog)letsel veroorzaken. Laserlicht is duizenden keren geconcentreerder dan normaal licht. Deze lichtconcentratie kan het netvlies verbranden. Zelfs als de warmte van een laserstraal niet gevoeld kan worden, kan het oogletsel of blindheid veroorzaken. Zelfs een kleine concentratie en een straal die ver verwijderd is kan gevaarlijk zijn.

Oogletsel ontstaat sneller dan u met de ogen kunt knipperen.

Het is **onjuist** te veronderstellen dat één straal uit een bundel van honderden door de laser gemaakte bundels, geen letsel kan veroorzaken.

Het is ook **onjuist** te veronderstellen dat het veilig is in een bewegende straal te kijken. In de wet staat dat het verboden is, bij gebruik van een Klasse 3B laser, de laserstraal op individuen te richten en/of daaronder zoals op dansvloeren enz..

- Plaats laserunits zodanig dat laserstralen tenminste 3 meter boven de vloer bewegen. Zie verderop in deze handleiding.
- Test laserunits altijd eerst voordat het publiek aanwezig is. Gebruik de laser niet

bij defecten. Gebruik de laser niet indien deze maar een paar bundels uitstralen. Lasers stralen normaliter honderden bundels uit. Dit duidt op een defect aan de lens en zorgt ervoor dat de uitgestraalde bundels een ander/hoger stralingsniveau hebben en gevaarlijk zijn.

- Richt een laserstraal nooit op mensen en dieren.
- Zorg ervoor dat bij de aanwezigheid van een balkon o.i.d. dat de 3m regel in acht wordt genomen, zie hierboven vermeld.
- Richt een laserstraal nooit op ramen, spiegels, reflecterend materiaal enz. Ook reflecterende stralen zijn gevaarlijk.
- Richt een laserstraal nooit op een vliegtuig.
- Richt een laserstraal nooit in de open lucht.
- Gebruik geen reinigingsmiddelen en/of chemische middelen om de lens schoon te maken.
- Laat een (werkende) laserunit nooit onbeheerd achter.
- Laat de bediening van een Klasse 3B laser over aan vakbekwame mensen die vertrouwd zijn met de gestelde eisen die hiervoor nodig zijn.
- De gestelde eisen variëren van land tot land. De gebruiker is verantwoordelijk voor (het gebruik van) de laser.
- Gebruik altijd een veiligheidsketting wanneer een laser op hoogte wordt gemonteerd.

Afgedankte artikelen !!



Raadpleeg eventueel www.wecycle.nl en/of www.vrom.nl v.w.b. het afdanken van elektronische apparaten in het kader van de WEEE-regeling. Vele artikelen kunnen worden gerecycled, gooi ze daarom niet bij het huisvuil maar lever ze in bij een gemeentelijk depot of uw dealer. Lever ook afgedankte batterijen in bij uw gemeentelijk depot of bij de dealer, zie www.stibat.nl .

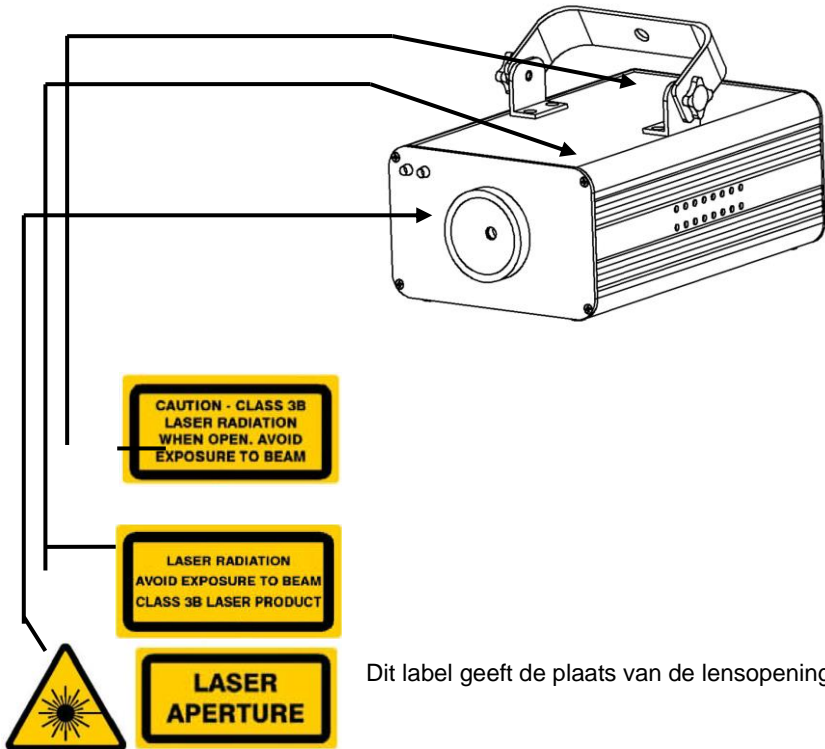


Garantie is niet van toepassing indien ongelukken of beschadigingen plaatsvinden veroorzaakt door onjuist gebruik of het niet opvolgen van het gestelde (o.a waarschuwingen) in deze handleiding.

Tronios BV kan niet verantwoordelijk worden gehouden voor schade in welke vorm dan ook, indien het gestelde in de handleiding (o.a waarschuwingen) niet wordt gerespecteerd.

Alle (defecte) artikelen dienen gedurende de garantieperiode altijd retour te worden gezonden in de originele verpakking.

LASER VEILIGHEIDSLABELS



Dit label geeft de plaats van de lensopening aan.

LASER LENSOPENING



LASERSTRAAL, VERMIJD DIRECT OOGCONTACT

ALGEMENE VEILIGHEIDS INSTRUCTIES

Ieder persoon die gebruik maakt van de laserunit moet:

- Gekwalificeerd zijn
- De instructies in deze handleiding volgen

LET OP! U kunt een gevaarlijke elektrische schok krijgen bij het aanraken van elektrische bedradingen.

Belangrijk!

De fabrikant aanvaardt geen aansprakelijkheid voor welke beschadiging/letsel dan ook indien hetgeen in deze handleiding wordt omschreven niet wordt opgevolgd en/of indien er niet geautoriseerde modificaties worden doorgevoerd. Tevens vervalt de garantie.

- Laat het netsnoer niet in contact komen met andere snoeren en sluit netsnoeren

aan met grote zorg! Onzorgvuldig gebruik kan levensgevaarlijk zijn. Controleer of de netspanning overeenkomt met de aangegeven spanning op het label.

- Altijd de netstekker als laatste in het stopcontact steken en de netschakelaar moet in de uit-positie staan. Als alles geïnstalleerd is, de stekker plaatsen en de schakelaar omzetten.
- Het netsnoer mag niet beschadigd zijn en niet langs scherpe delen voeren. Controleer dit van tijd tot tijd.
- Verwijder de stekker uit het stopcontact alvorens de unit schoon te maken of wanneer deze niet meer gebruikt wordt. Trek altijd aan de stekker en nooit aan het snoer bij verwijdering.
- Bij (opnieuw) bedraden van de stekker moet er voor gezorgd worden dat de geel/groene draad aan massa/aarde wordt aangesloten.
- Reparaties moeten altijd worden uitgevoerd door vakbekwame mensen.
- Schakel de laserunit nooit aan/uit/aan met korte intervallen, dit zal de levensduur aanzienlijk verminderen en de laser diode beschadigen.
- Bij het vervangen van zekeringen altijd de juiste waarde gebruiken anders wordt de laserunit onherstelbaar beschadigd.
- Bij temperatuurverschillen de unit niet direct inschakelen. Door verschillen ontstaat condens, laat de unit even staan, zorg ervoor dat deze op temperatuur komt en schakel deze dan pas in.
- Zorg er voor dat de unit niet onderhevig is aan schudden, trillen enz.. Vermijd brute kracht tijdens installeren en bedienen.
- Vermijd het rondslingeren van allerlei kabels en snoeren. Deze kunnen beschadigen en zo een gevaar vormen!
- De bedrijfstemperatuur moet tussen de 10°C en 40°C liggen.
- Bij het transporteren dient de unit in de originele verpakking te worden gepakt, dit om beschadigingen te voorkomen.

LET OP! Zorg er voor dat de gebruiker de laserunit beheerst. Niet-gekwalificeerde personen mogen de laserunit niet bedienen. De meeste beschadigingen worden veroorzaakt door onprofessioneel gebruik!

LET OP! Als de laserunit niet wordt bediend conform het gestelde in deze handleiding, zal de unit worden beschadigd en vervalt de garantie.

VOORZOR

UITPAKKEN VAN DE LASER

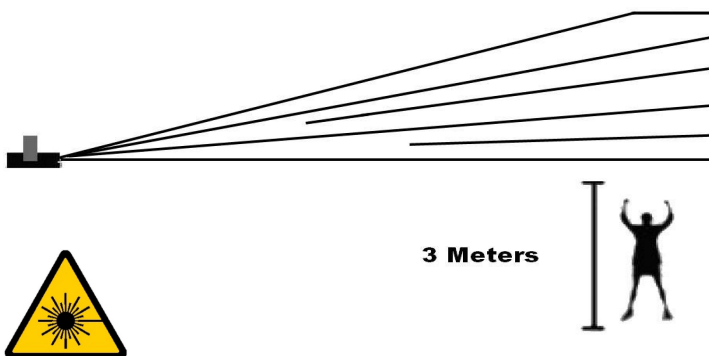
LET OP! Pak de laserunit voorzichtig uit en controleer de inhoud op beschadigingen enz. Bewaar de verpakking voor later gebruik, indien de laserunit getransporteerd moet worden is het beter deze in de originele verpakking te doen.

Aansluitspanning

Op het label aan de achterzijde van de laserunit staat aangegeven op welke netspanning deze moet worden aangesloten. Controleer of de netspanning hiermee overeenkomt, bij alle andere netspanningen dan aangegeven kan de laserunit onherstelbaar worden beschadigd. Tevens moet de laserunit direct op de netspanning worden aangesloten en mag géén dimmer of regelbare voeding worden gebruikt.

Laser Set Up & Gebruik

De laserunit kan worden opgehangen. Dit dient op een deugdelijke wijze te geschieden door gebruik te maken van een clamp en veiligheidsketting. Deze veiligheidsartikelen zijn bij de dealer te verkrijgen. Zoals in het volgende figuur is weergegeven dienen de laserstralen, met een minimum van 3 meter, boven de vloer te schijnen, zodanig dat individuen geen (oog)letsel oplopen. Hou rekening met eventueel aanwezige balkons o.i.d. en pas de 3 meterregel opnieuw toe. Tevens mag de laserunit nooit aanraakbaar zijn, behalve door een vakbekwaam persoon.



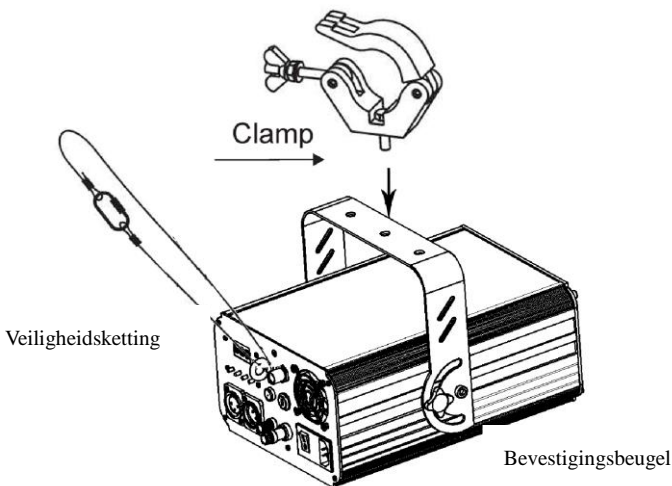
LET OP: Bediening, afstellingen of het volgen van procedures anders dan gesteld in de handleiding kunnen resulteren in gevaarlijke stralingen

LET OP: Het installeren dient conform de wet en gestelde eisen te geschieden! Ook dient het installeren te geschieden door vakbekwaam personeel!

Installatie :

- De constructie van de ophanging dient zo te zijn dat deze 10 keer het gewicht per uur van de laserunit kan dragen.
- De installatie moet altijd worden gezekeerd met een tweede beveiliging zoals een vangnet of veiligheidsketting. De tweede beveiliging moet zodanig zijn geconstrueerd dat geen enkel deel naar beneden kan vallen.
- Zorg ervoor dat geen enkel individu tijdens installatie, reparatie enz. onder de laserunit staat of door kan lopen.
- De gebruiker is verantwoordelijk voor de laserunit, de installatie en de veiligheid van het geheel. Is deze daartoe niet in staat dient altijd een externe deskundige in de arm genomen te worden die het geheel controleert en de verantwoordelijkheid op zich neemt.
- De gebruiker dient minstens eens per jaar de laserunit en de installatie te laten controleren, op veiligheid, technische werking van de laser enz., door een externe deskundige.

LET OP: Bij de installatie van de laserunit mag geen ontvlambaar materiaal aanwezig zijn (decoratie materiaal, enz.). Houd tenminste 50 cm afstand tot oppervlakken en andere lasers!



BEDIENING & FUNCTIE

- Deze laserunit is niet ontworpen voor continu gebruik.
- Schakel de unit niet steeds aan en uit.
- Wanneer de unit een poos niet gebruikt wordt moet de stekker uit het stopcontact gehaald worden. (Ook tijdens het vervangen van de lamp en bij reparatie).
- Wanneer de laserunit niet deugdelijk functioneert dient u deze onmiddellijk op te sturen naar uw dealer en niet verder te gebruiken!!



LET OP : Na ingeschakeld te zijn verschijnen de laserstralen binnen enkele seconden. KIJK NOOIT IN DE LASER!!

ONDERHOUD

- Zorg er voor dat gedurende het onderhoud zich geen individuen bevinden onder de laser.
- Schakel de laser uit, trek de stekker uit het stopcontact en wacht tot de laser is afgekoeld.
- Behuizing, bevestiging en installaties (plafond, truss, ophanging) moeten van deugdelijke aard zijn.
- Het netsnoer mag niet beschadigd zijn en moet direct vervangen worden, ook bij kleine defecten.
- Om de laser te beschermen tegen oververhitting dienen ventilatoren en ventilatie openingen iedere maand schoongemaakt te worden.
- De lens en spiegels dienen periodiek schoongemaakt te worden. Deze periode is afhankelijk van de aanwezige viezigheid.
 - 1) Alleen schoonmaken met een droge doek.
 - 2) Gebruik geen schoonmaakmiddelen.
 - 3) Maak de lens tenminste iedere maand schoon.

- **LET OP:** Het binnenwerk van de laser moet ieder jaar door een vakbekwaam persoon met een stofzuiger of compressor schoongemaakt worden.

Modificaties door de fabrikant worden zonder u op de hoogte te brengen doorgevoerd.

Let op! *Het gebruik in Frankrijk is alléén toegestaan voor de professionele gebruiker en niet voor de consument. Zie besluit: www.legifrance.gouv.fr*

DEUTSCH

Diese Anleitung enthält wichtige Sicherheits- und Betriebshinweise über das Lasersystem. Alle Anweisungen vor der ersten Inbetriebnahme lesen und verstehen, um Augenverletzungen und Gesetzesbruch zu vermeiden. Die Anleitung für spätere Bezugnahme aufbewahren.

WARNHINWEISE

Lasersstrahlen sind gefährlich und bedürfen besonderer Sicherheitsvorkehrungen. Bei falschem Gebrauch kann Blindheit und dauerhafter Augenschaden die Folge sein. Bitte beachten Sie ALLE Sicherheitshinweise und Warnungen in dieser Anleitung. Alle Anweisungen genau durchlesen, BEVOR Sie das Gerät in Betrieb nehmen.



Achtung!

Weist auf eine Handlung oder andere nützliche Information für besondere Situationen hin.



Wichtig!

Gibt wichtige Informationen zum Schutz von Personen gegen Verletzungen.



Vorsicht!

Verhindert Schäden und Verletzungen durch unsachgemässen Gebrauch



Laser!

Lasernwarnschild



Recycle

Zum Schutz der Umwelt, das Verpackungsmaterial so weit wie möglich recyceln



Innen

Das Gerät ist nur für Innengebrauch vorgesehen (IP20). Nur in trockenen Räumen gebrauchen. Vor Regen und Feuchtigkeit, Hitze, Staub und Nässe schützen



Abfall

Das Gerät nicht in normalen Hausmüll werfen, sondern zu einer Sammelstelle für elektronische Geräte bringen.



Standortwahl

Das Gerät muss an einem Ort mit ausreichender Belüftung und mindestens 50cm von jeder Fläche entfernt angebracht werden. Darauf achten, dass die Belüftungsschlitze frei bleiben.

LASER SICHERHEITSHINWEISE

Bei diesem Gerät besteht Verletzungsgefahr! Lesen Sie diese Anweisungen genau durch. Sie enthalten wichtige Informationen über die Montage, sicheren Gebrauch und Wartung!

Vorsicht

- Vermeiden Sie direkten Augenkontakt mit dem Laserstrahl. Niemals absichtlich Ihre Augen oder die Augen anderer Personen direktem Laserlicht aussetzen.
- Der Laserstrahl kann sofort Ihre Augen verletzen oder zu Blindheit führen, wenn er direkt ins Auge fällt.
- Es ist verboten und gefährlich, den Laserstrahl aufs Publikum zu richten, wo das Licht oder die Reflexion des Lichtstrahls Personen ins Auge treffen kann.
- Das Gerät enthält keine vom Benutzer auswechselbaren Teile. Nicht das Gehäuse öffnen oder Reparaturen selbst ausführen. Bei Reparaturbedarf wenden Sie sich bitte an Ihren Fachhändler.
- Sie setzen sich gefährlichen Strahlungen aus, wenn Sie Einstellungen oder Arbeiten am Gerät vornehmen, die nicht ausdrücklich in dieser Anleitung erwähnt sind.

NIEMALS DAS GEHÄUSE ÖFFNEN!

Das Gerät enthält Laser mit hohen Leistungen. Niemals das Gehäuse öffnen. Sie können sich gefährlichen Laserstrahlen aussetzen, die Blindheit, Hautverbrennungen und Brand verursachen können.

LASERSICHERHEITS- UND BETRIEBSANWEISUNGEN

ERST ALLE SICHERHEITSHINWEISE LESEN

Laserlicht hat nichts mit anderen Lichtquellen, die sie vielleicht kennen, zu tun. Das Licht dieses Produktes kann Augenverletzungen verursachen, wenn es nicht richtig installiert und bedient wird.

Laserlicht ist mehrere tausend Male konzentrierter als jede andere Lichtquelle. Diese hohe Konzentration kann zu sofortigen Augenverletzungen führen, insbesondere zur Verbrennung der Netzhaut. Selbst wenn Sie keine „Hitze“ vom Laserstrahl spüren, kann er trotzdem Blindheit verursachen. Sogar ganz geringe Mengen von Laserstrahlen auf lange Entfernungen sind gefährlich.

Es ist falsch zu denken, dass der einzelne Strahl fürs Auge ungefährlich ist, weil diese Produkte der Unterhaltungselektronik den Strahl in hunderte von Strahlen teilen oder

bei hoher Geschwindigkeit durch den Raum schießen. Dieses Laserprodukt verwendet Dutzende von Milliwatt Laserleistung (Klasse 3B Laser). Viele der einzelnen Strahlen stellen eine potentielle Gefahr dar.

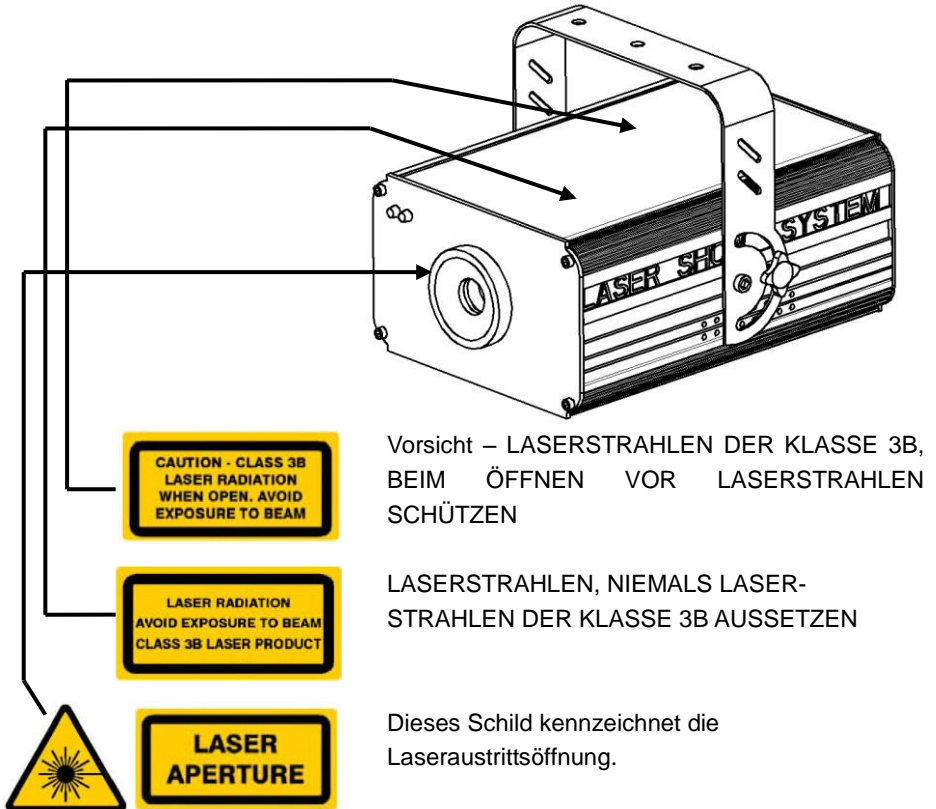
Es ist ebenfalls falsch zu glauben, dass der Laserstrahl harmlos ist, weil er sich bewegt. Das ist nicht wahr und außerdem bewegt er sich auch nicht ständig. Da Augenverletzungen sofort auftreten, ist es lebenswichtig, die Möglichkeit von eventuellem, direktem Augenkontakt völlig auszuschließen. In den Sicherheitsbestimmungen für Laser ist es illegal, einen Laser der Klasse 3B auf Bereiche zu richten, wo sich Personen befinden können. Dies gilt auch, wenn der Strahl unterhalb von den Augen der Menschen, z.B. auf den Tanzboden gerichtet ist.

- Benutzen Sie nicht den Laser, ohne zuerst alle Sicherheits- und technischen Daten zu lesen und zu verstehen
- Installieren Sie das Lasergerät so, dass sich das Laserlicht mindestens 3m über dem Boden, auf dem Leute stehen können, befindet. S. „Richtige Montage und Bedienung“ in dieser Anleitung.
- Nach der Montage und vor der Inbetriebnahme in der Öffentlichkeit, testen Sie, ob das Gerät einwandfrei funktioniert. Falls ein Defekt auftritt, darf das Gerät nicht benutzt werden. Auch nicht benutzen, wenn der Laser nur einen der zwei statt dutzende/hunderte von Strahlen abgibt. Dies kann auf einen Schaden in der Optik hinweisen und zur Abgabe höherer Laserleistung führen.
- Den Laserstrahl niemals auf Menschen oder Tiere richten.
- Niemals in die Laseraustrittsöffnung oder einen Laserstrahl blicken.
- Den Laserstrahl nicht auf Bereiche richten, wo Menschen möglicherweise dem Strahl ausgesetzt werden können, z.B. einen unüberwachten Balkon
- Niemals den Laserstrahl auf spiegelnde Flächen wie Fenster, Spiegel oder glänzendes Metall richten. Sogar die gespiegelten Strahlen sind gefährlich.
- Niemals den Laserstrahl auf Flugzeuge richten
- Niemals unbegrenzte Laserstrahlen in den Himmel richten
- Niemals die Austrittsoptik chemischen Reinigungsmitteln aussetzen
- Den Laser nicht benutzen, wenn er nur ein oder zwei Strahlen abgibt.
- Den Laser nicht benutzen, wenn das Gehäuse beschädigt oder geöffnet ist, oder wenn die Optik in irgendeiner Weise beschädigt zu sein scheint.
- Niemals das Lasergehäuse öffnen. Die hohe Laserleistung im Gehäuse kann Feuer, Hautverbrennungen und Augenverletzungen verursachen.
- Das Gerät niemals ohne Aufsicht laufen lassen.
- Der Betrieb eines Showlasers der Klasse 3B ist zu zulässig, wenn das Gerät von einem ausgebildeten Fachmann betrieben wird, der mit den Informationen in dieser Anleitung vertraut ist.
- Die gesetzlichen Vorschriften zum Gebrauch von Lasern in der

Unterhaltungselektronik ist von Land zu Land verschieden. Der Benutzer ist für die Einhaltung der gesetzlichen Vorschriften verantwortlich.

- Stets angemessene Sicherheitskabel zum Aufhängen von Lichteffektgeräten verwenden.

WARN – UND SICHERHEITSSCHILDER AUF DEM LASER



WARNUNG VOR LASERSTRAHLEN



LASERSTRAHLEN DIE AUGEN NICHT DIREKTEN STRAHLEN AUSSETZEN

ALLGEMEINE SICHERHEITSANWEISUNGEN

Alle Personen, die mit der Montage und der Wartung dieses Geräts betraut sind, müssen

- Qualifiziert sein
- Die Anweisungen in dieser Anleitung befolgen

VORSICHT! Achten Sie bei der Montage darauf, keine Stromleitungen zu berühren. Sie können sonst einen Stromschlag erleiden!

Das Gerät hat unser Werk in einwandfreiem Zustand verlassen. Damit das so bleibt und das Gerät unter sicheren Bedingungen betrieben wird, muss der Benutzer die Anweisungen und Warnungen in dieser Anleitung genau befolgen.

Wichtig!

Der Hersteller übernimmt keine Haftung für Schäden, die durch Nichtbeachtung der Sicherheitshinweise oder unerlaubtes Ändern des Geräts entstanden sind.

- Schäden, die durch unbefugte Veränderung des Geräts entstanden sind, sind von der Garantie ausgeschlossen.
- Niemals das Netzkabel mit andern Kabeln in Berührung kommen lassen! Das Netzkabel, sowie alle anderen Stromkabel mit besonderer Vorsicht behandeln!
- Achten sie darauf, dass die Netzspannung die angegebene Höchstspannung nicht übersteigt.
- Das Netzkabel immer zuletzt anschließen. Der Netzschalter muss immer auf AUS stehen, wenn das Gerät ans Netz angeschlossen wird. Der Netzstecker muss jederzeit zugänglich sein.
- Das Netzkabel darf niemals zerquetscht oder von scharfen Kanten beschädigt werden. Das Gerät und das Netzkabel regelmäßig überprüfen.
- Bei Nichtgebrauch oder vorm Reinigen immer den Netzstecker abziehen. Immer am Stecker ziehen, niemals am Kabel.
- Der gelb-grüne Leiter muss unbedingt an den Erdleiter angeschlossen werden.
- Der elektrische Anschluss, Reparaturen und Wartungsarbeiten müssen von einem Fachmann ausgeführt werden.
- Das Gerät nicht in kurzen Abständen ein- und ausschalten, um die Laserdiode nicht zu beschädigen.

-
- Die Sicherung darf nur durch eine vollkommen gleichwertige ersetzt werden.
 - Wenn das Gerät hohen Temperaturschwankungen ausgesetzt war, darf es nicht sofort eingeschaltet werden. Das gebildete Kondenswasser könnte das Gerät beschädigen. Warten Sie, bis das Gerät Zimmertemperatur erreicht hat.
 - Niemals das Gerät schütteln. Bei der Montage oder dem Betrieb niemals Gewalt anwenden.
 - Bei der Wahl des Montageplatzes darauf achten, dass das Gerät vor Hitze, Feuchtigkeit und Staub geschützt ist. Es sollten keine Kabel herumliegen. Sie gefährden sonst Ihre Sicherheit und die anderer.
 - Der Mindestabstand zwischen dem Gerät und den umliegenden Wänden muss mindestens 50cm betragen.
 - Das Gerät immer mit einem angemessenen Sicherheitskabel befestigen. Das Sicherheitskabel nur an der Sicherheitsöse befestigen.
 - Die Raumtemperatur muss zwischen 10°C und 40°C betragen.
 - Das Gerät bitte immer in der Originalverpackung transportieren.
 - Bitte beachten Sie, dass das Gerät aus Sicherheitsgründen niemals verändert werden darf!

VORSICHT! Das Gerät erst benutzen, wenn Sie mit allen Funktionen vertraut sind. Niemals unqualifizierte Personen das Gerät bedienen lassen. Die meisten Schäden entstehen durch unsachgemässen Gebrauch!

VORSICHT! Wenn das Gerät in einer anderen Weise als in dieser Anleitung beschrieben, betrieben wird, kann der Produkt Schäden erleiden und jeglicher Garantieanspruch verfällt.

VOR DER INBETRIEBNAHME

Auspacken



VORSICHT! Packen Sie das Gerät sofort nach Empfang aus und prüfen Sie den Inhalt. Wenn Teile fehlen oder beschädigt sind, benachrichtigen Sie sofort den Spediteur und bewahren Sie die Verpackung auf. Falls ein Gerät ins Werk zurückgeschickt werden muss, ist es wichtig, dass es in der Originalverpackung versandt wird.

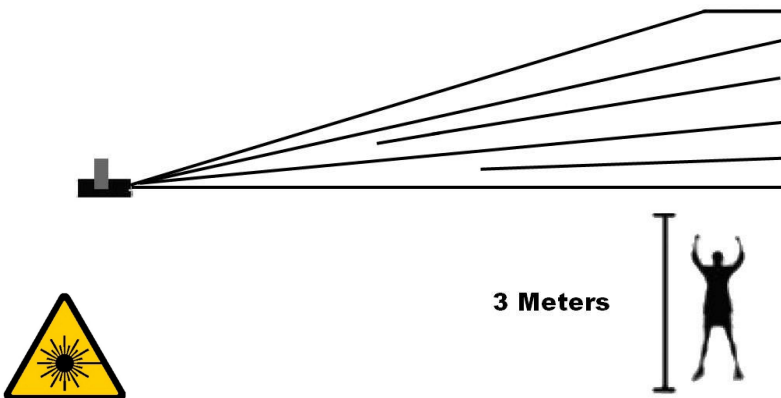
Netzanschluss

Die benötigte Versorgungsspannung steht auf dem Typenschild auf der Rückseite des

Geräts. Die angegebenen Stromwerte entsprechen einem Durchschnittswert bei normalem Betrieb. Alle Geräte müssen direkt ans Netz angeschlossen werden und dürfen nicht über einen Rheostat oder Dimmerschalter gespeist werden, auch wenn der Rheostat oder Dimmer nur auf 0% oder 100% eingestellt ist. Bevor Sie eine Spannung anlegen, prüfen Sie, ob der Wert der zulässigen Spannung entspricht.

Montage und Bedienung

Das Gerät muss aufgehängt werden. Aus Sicherheitsgründen ist es empfehlenswert, den Lichteffekt mit einem geeigneten Haken und Sicherheitskabel zu befestigen. Geeignetes Material erhalten Sie bei Ihrem Fachhändler für Lichteffektgeräte. Internationale Laser Sicherheitsbestimmungen verlangen, dass Laser wie unten abgebildet eingesetzt werden, in einer Mindesthöhe von 3m über dem Boden. Hinzu kommt ein horizontaler Abstand von 2,5m zwischen dem Laser und dem Publikum



VORSICHT: Die Ausführung von Befehlen, Einstellungen und Handlungen, die nicht in dieser Anleitung beschrieben sind, können zu gefährlichen Laserstrahlungen führen.

Aufhängen des Geräts

VORSICHT: Bitte beachten Sie die entsprechende nationale Gesetzgebung während der Montage! Die Installation darf nur von befugten Angestellten oder Fachleuten ausgeführt werden

- Die Aufhängung des Geräts muss 10-mal das Eigengewicht 1 Stunde lang ohne Spuren von Verformung tragen können.

-
- Die Anlage muss immer mit einer zweiten Sicherheitsvorrichtung z.B. einem geeigneten Fallnetz abgesichert werden. Die zweite Sicherheitsvorrichtung muss so gebaut sein, dass keine Teile des Geräts auf den Boden fallen können, falls die Hauptbefestigung nachgibt.
 - Achten Sie drauf, dass sich während der Montage, Demontage und Wartung keine Personen unter dem Montageplatz befinden.
 - Der Benutzer muss sicherstellen, dass alle sicherheitstechnischen Anlagen von einem Fachmann geprüft werden, bevor er die Anlage zum ersten Mal in Betrieb nimmt oder nach Änderungen der Anlage.
 - Der Benutzer muss sicherstellen, dass die Anlage einmal im Jahr von einem Fachmann geprüft wird.
 - Das Gerät muss an einem Ort angebracht werden, wo es nicht von Personen erreicht werden kann und wo sich keine Personen weder stehend noch sitzend aufhalte

VORSICHT: Beim Installieren des Geräts darauf achten, dass sich keine brennbaren Materialien (Dekorationsartikel usw.) in weniger als 0,5m Entfernung befinden.

PRODUKTÜBERSICHT

- Das Gerät hat unser Werk in einwandfreiem Zustand verlassen. Damit das so bleibt und das Gerät unter sicheren Bedingungen betrieben wird, muss der Benutzer die Anweisungen und Warnungen in dieser Anleitung genau befolgen.
- Der Hersteller übernimmt keine Haftung für Schäden, die durch Nichtbeachtung der Sicherheitshinweise oder unerlaubtes Ändern des Geräts entstanden sind.

Tronios BV Registrierungsnummer : DE51181017 (ElektroG).

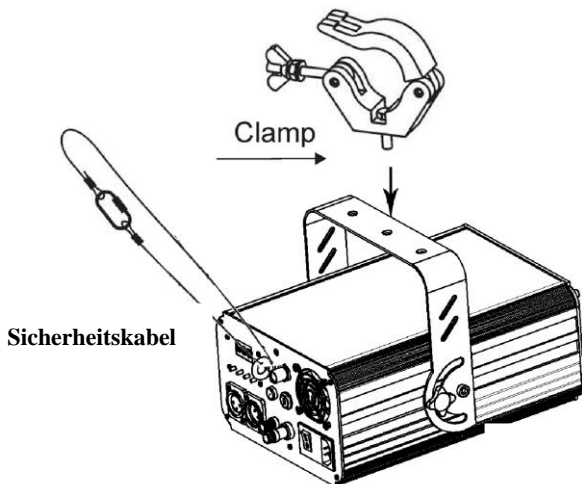


Dieses Produkt darf am Ende seiner Lebensdauer nicht über den normalen Haushaltsabfall entsorgt werden, sondern muss an einem Sammelpunkt für das Recycling abgegeben werden. Die Werkstoffe sind gemäß ihrer Kennzeichnung wieder verwertbar. Hiermit leisten Sie einen wichtigen Beitrag zum Schutze unserer Umwelt.

Tronios BV Registrierungsnummer : 21003000 (BatterieG).

Lithiumbatterien und Akkupacks sollten nur im entladenen Zustand in die Altbatteriesammelgefäße bei Handel und bei öffentlich-rechtlichen Entsorgungsträgern gegeben werden. Bei nicht vollständig entladenen Batterien Vorsorge gegen Kurzschluß treffen durch Isolieren der Pole mit Klebestreifen.

Der Entnutzer ist zur Rückgabe von Altbatterien gesetzlich verpflichtet.



REGLER & FUNKTIONEN

- Regelmäßige Betriebspausen sind wichtig, um die Lebensdauer dieses Geräts zu erhöhen, da es nicht für Dauereinsatz geeignet ist.
- Das Gerät nicht kurz hintereinander ein- und ausschalten.
- Immer den Netzstecker abziehen, wenn das Gerät längere Zeit nicht benutzt wird, oder vor Auswechseln des Leuchtmittels oder Wartungsarbeiten.
- Bei ernsthaften Betriebsstörungen das Gerät nicht mehr benutzen und sofort Ihren Fachhändler benachrichtigen.



Achtung!

Der Laserstrahl tritt 5 Sekunden nach Einschalten des Geräts heraus. Niemals in die Laseraustrittsöffnung oder einen Laserstrahl blicken !!

WARTUNG

- Während der Wartungsarbeiten dürfen sich keine unbefugten Personen innerhalb des Montagebereichs aufhalten.
- Das Gerät abschalten, vom Netz trennen und warten, bis es sich abgekühlt hat.
- Gehäuse, Befestigungen und Montagestellen (Decke, Traversen usw.) müssen vollkommen unverformt sein.
- Die Netzkabel müssen in einwandfreiem Zustand sein und beim geringsten Anzeichen von Abnutzung sofort ersetzt werden.
- Um das Gerät vor Überhitzung zu schützen, müssen die Kühlungsschlitze (falls vorhanden) und die Belüftungsöffnungen monatlich gereinigt werden.
- Die Laseraustrittsöffnung und die Scannerspiegel müssen regelmäßig gereinigt werden, um die Lichtintensität zu erhalten.
 - 1) Reinigen Sie die Teile mit normalem Glasreiniger.
 - 2) Die Teile immer sorgfältig trocknen
 - 3) Das Glas der Austrittsöffnung mindestens einmal im Monat reinigen
- Das Gerät muss einmal im Jahr von innen mit einem Staubsauger oder Druckluft gereinigt werden.

ACHTUNG: Wir empfehlen dringend, die Reinigung von einem Fachmann vornehmen zu lassen!

Änderungen vorbehalten

Die Verfügbarkeit kann von land zu Land verschieden sein. Bitte erkundigen Sie sich bei Ihrem Fachhändler

Laser	Red and green
Wavelength	Red: 650nm-150mW // Green: 532nm-50mW
Pattern	2 x 8
Wheel	Gobo
Power Supply	5Vdc, 10W

Hinweis! Die Nutzung in Frankreich ist nur für den professionellen Anwender und nicht für den Endbenutzer zulässig. Siehe Beschluß:

www.legifrance.gouv.fr

Cette notice contient des informations importantes sur le fonctionnement de l'appareil et la sécurité des lasers. Veuillez lire la notice avec attention avant toute utilisation pour éviter des blessures des yeux et de contrevenir à la loi. Conservez cette notice pour pouvoir vous y reporter ultérieurement.

Note ! *L'utilisation en France n'est autorisée que pour des professionnels, pas pour des particuliers. Voir réglementation : www.legifrance.gouv.fr*

AVERTISSEMENT

Les lasers peuvent être dangereux et imposent des conditions de sécurité particulières. Des troubles de la vision et une cécité sont possibles si les lasers ne sont pas correctement utilisés. Respectez les consignes de sécurité et les avertissements de cette notice. Lisez avec attention les instructions d'utilisation avant toute utilisation.



Attention!

Information importante pour des situations spécifiques.



Important!

Information importante pour protéger le personnel de tout incident ou blessure.



Caution!

Interdire une mauvaise opération pour prévenir tout dommage résultant d'une mauvaise utilisation.



Laser!

Étiquette de sécurité LASER.



Recyclage

Afin de préserver l'environnement, recyclez l'emballage.



Intérieur

Utilisation seulement en intérieur, IP20. Utilisation en lieu sec seulement. Éloignez l'appareil de l'eau et de l'humidité, de la chaleur excessive, de la poussière. Ne pas mettre en contact avec de l'eau ou d'autre fluide, ou d'objets métalliques.



Recyclage

Lorsque l'appareil est définitivement retiré du circuit de distribution, vous devez le déposer dans une usine de recyclage adaptée.



Emplacement

L'appareil doit être installé dans un endroit bien ventilé, à au moins 50 cm de toute surface. S'assurer qu'aucune ouïe de ventilation n'est obstruée.

SECURITE DES LASERS

Le risque de blessures par laser existe avec ce produit. Lisez les instructions avec attention, y compris les points relatifs à l'installation, à l'utilisation en toute sécurité et à l'entretien.

Attention

- **Evitez tout contact direct des yeux avec le rayon laser. N'exposez jamais volontairement vos yeux à la lumière directe des rayons.**
- **Le laser peut créer des dommages de la vision ou une cécité si vous regardez directement le rayon laser.**
- **Il est illégal et dangereux d'utiliser le laser dans des zones où le public ou d'autres personnes peuvent être touchés par des faisceaux laser directs ou être touchés par des réflexions sur leurs yeux.**
- **Il est interdit de projeter un faisceau laser vers un avion.**
- **N'ouvrez pas le boîtier et ne tentez pas de réparer vous-même l'appareil. Contactez votre revendeur.**
- **Toute utilisation des réglages autre que celle spécifiée dans la notice peut engendrer une exposition dangereuse aux rayons lasers.**

AVERTISSEMENT SECURITE BOITIER

Cet appareil contient un système laser très puissant. N'ouvrez pas le boîtier, il y a un danger d'exposition à des niveaux dangereux de rayonnement laser. Les niveaux de rayonnement laser lorsque l'appareil est ouvert peuvent causer une cécité, des brûlures de la peau et des incendies.

SECURITE DES LASERS ET INSTRUCTIONS D'UTILISATION

LISEZ IMPERATIVEMENT LES AVERTISSEMENTS SUIVANTS SUR LA SECURITE DES LASERS

La lumière des lasers est différente de toute autre source de lumière qui vous est familière. La lumière générée par cet appareil peut causer des dommages oculaires si l'appareil n'est pas correctement installé et utilisé. La lumière d'un laser est des milliers de fois plus concentrée que la lumière produite par toute autre source. Cette concentration de puissance peut causer de manière instantanée des blessures des yeux en brûlant la rétine. Si vous ne pouvez pas sentir la "chaleur" d'un faisceau laser, il peut cependant causer des blessures ou aveugler le public. Même de petites quantités de lumière laser sont potentiellement dangereuses à de grandes distances. Les blessures causées par des lasers peuvent survenir plus vite qu'un simple clignement des yeux.

Il est faux de croire que parce que des jeux de lumière laser d'animation divisent

le faisceau laser en des centaines de rayons ou parce que le rayon laser est émis à de grande vitesse, un rayon individuel n'est pas dangereux pour les yeux. Cet appareil produit des douzaines de milliwatts de puissances (laser de classe 3B).

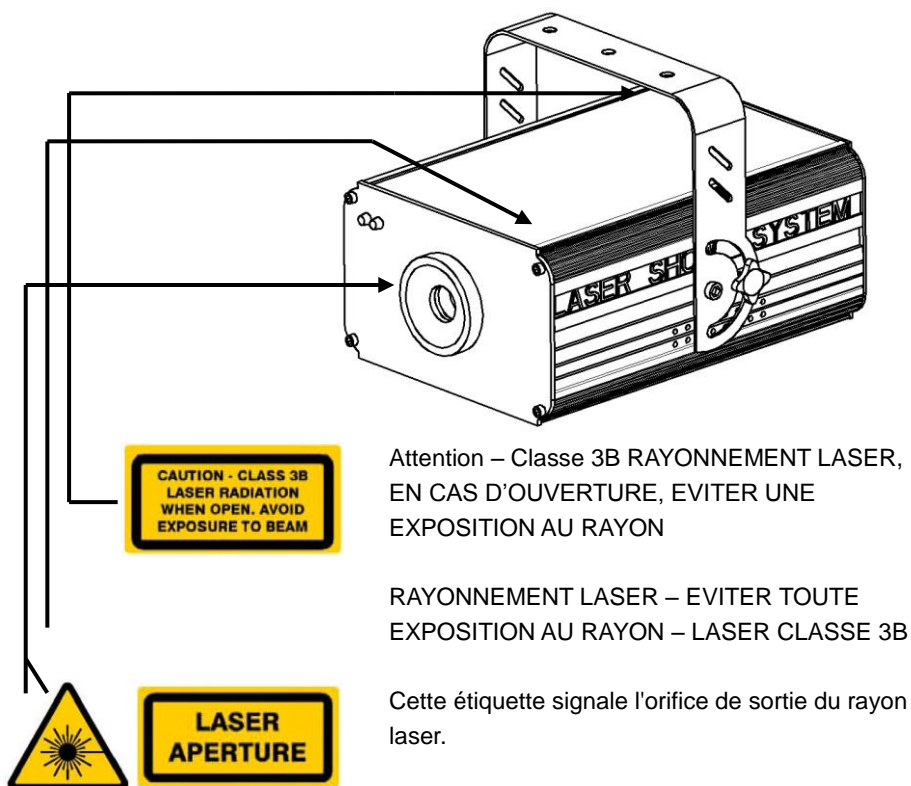
Bon nombre de chaque faisceau est dangereux pour les yeux.

Il est faux de croire que parce que le faisceau bouge, il n'y a pas de danger. De même il est faux de croire que les faisceaux bougent tout le temps. Etant donnée que les blessures oculaires sont immédiates, il est primordial d'éviter une éventuelle exposition directe. Dans les réglementations en vigueur sur l'utilisation des lasers, il est interdit de diriger les lasers de classe 3B dans des zones où des personnes peuvent être exposées. Cela est vrai même si le faisceau est dirigé sous les visages des personnes, par exemple sur une piste de danse dance floor.

- Ne faites pas fonctionner le laser sans avoir lu les conseils d'utilisation de la présente notice.
- Installez et utilisez le laser de telle sorte que le faisceau laser soit toujours à 3 mètres au-dessus du sol. Voir les points suivants dans la notice.
- Une fois l'appareil installé et avant toute utilisation en public, il faut tester l'appareil pour s'assurer de son bon fonctionnement. Ne l'utilisez pas en cas de problème. Ne l'utilisez pas si un seul ou deux rayons sont émis au lieu de centaines, cela indique un dommage sur l'optique de diffraction et pourrait engendrer une émissions de niveaux de laser élevés.
- Ne pointez pas de faisceau laser vers les hommes ou animaux.
- Ne regardez pas dans l'ouverture du laser ou directement les rayons.
- Ne pointez pas les faisceaux laser dans des zones où des personnes peuvent être exposées.
- Ne pointez pas les faisceaux laser vers des surfaces réfléchissantes telles que fenêtres, miroirs, pièces métalliques. Même des réflexions de faisceau laser sont dangereuses.
- Ne pointez pas de faisceau laser vers un avion, c'est illégal et passible de sanctions.
- Ne pointez pas un faisceau laser vers le ciel.
- N'exposez pas l'ouverture du laser à des produits chimiques de nettoyage.
- N'utilisez pas l'appareil si l'appareil n'émet qu'un seul faisceau ou deux rayons.
- N'utilisez pas le laser si le boîtier est endommagé ou ouvert ou si l'optique semble endommagée.
- N'ouvrez jamais le boîtier. Les niveaux élevés de puissance de laser dans le boîtier peuvent engendrer des feux, brûler la peau et causer des dommages oculaires
- Ne laissez pas l'appareil fonctionner sans surveillance.

- Le fonctionnement d'un laser de classe 3B n'est permis que si une personne dédiée, et ayant des connaissances techniques, est présente pendant le show et peut le surveiller.
- La législation sur l'utilisation de lasers de loisirs varie selon les pays. L'utilisateur est responsable vis à vis des réglementations en vigueur dans le pays d'utilisation.
- Utilisez toujours des élingues adaptées lorsque l'appareil est suspendu.

ETIQUETTES DE SECURITE



AVERTISSEMENT EXPOSITION AUX FAISCEAUX LASER
EVITER TOUTE EXPOSITION DIRECTE DES YEUX



INSTRUCTIONS DE SECURITE

Toute personne impliquée dans l'installation et la maintenance de cet appareil doit :

- Etre qualifiée
- Suivre les instructions de cette notice

ATTENTION ! Faites attention lors des manipulations. Vous pouvez subir une décharge électrique si vous touchez les câbles porteurs de tension !

Cet appareil a quitté les entrepôts en parfait état. Pour le conserver ainsi et garantir un bon fonctionnement, il est impératif de suivre les instructions de la présente notice.

Important!

Le fabricant ne saurait être tenu responsable en cas de dommages causés par le non respect des instructions de cette notice ou par la modification non autorisée de l'appareil.

- Notez que tout dommage causé par des modifications apportées sur l'appareil ne peut être couvert par la garantie.
- Le cordon d'alimentation ne doit jamais être en contact avec d'autres câbles. Manipulez toujours le cordon d'alimentation et les branchements secteur avec précaution.
- Assurez-vous que la tension d'alimentation disponible n'est pas supérieure à celle spécifiée sur la face arrière de l'appareil.
- Branchez toujours le cordon secteur en dernier. Vérifiez bien que l'interrupteur secteur est bien sur Arrêt avant de relier l'appareil au secteur. La prise secteur doit être accessible une fois l'appareil installé.
- Assurez-vous que le cordon secteur n'est pas en contact avec des arêtes vives. Vérifiez régulièrement le cordon secteur.
- Débranchez l'appareil du secteur s'il n'est pas utilisé et avant de le nettoyer. NE tirez jamais sur le cordon secteur, tenez-le toujours par la prise.
- Il est impératif de relier le conducteur jaune / vert à la terre.
- Seul un personnel qualifié peut effectuer les branchements électriques, réparations et entretien.
- N'allumez pas et n'éteignez pas l'appareil à brefs intervalles, cela peut réduire la durée de vie de la diode laser.
- Remplacez tout fusible fondu par un fusible de même type et même puissance.

-
- Si l'appareil a été soumis à des fluctuations importantes de températures, ne l'allumez pas immédiatement. De la condensation peut se créer et endommager l'appareil. Laissez votre appareil éteint le temps qu'il atteigne la température de la pièce.
 - Ne secouez pas l'appareil. Lors de l'installation et de l'utilisation, évitez de forcer.
 - Lors du choix du lieu d'installation, assurez-vous que l'appareil n'est pas exposé à une chaleur, humidité, poussières extrêmes. Aucun câble ne doit se trouver à proximité. Vous mettriez votre sécurité et celle des autres en danger.
 - La distance minimale entre l'appareil et les murs environnants doit être de 50 cm au moins.
 - Fixez toujours l'appareil avec une élingue de sécurité.
 - La température ambiante doit être entre 10°C et 40°C.
 - Utilisez l'emballage d'origine pour transporter l'appareil.
 - Toute modification non autorisée sur l'appareil est interdite pour des raisons évidentes de sécurité.

ATTENTION ! N'utilisez l'appareil qu'une fois familiarisé avec son fonctionnement. N'autorisez pas l'utilisation par des personnes non qualifiées. La majorité des dommages est causée par une utilisation non professionnelle.

ATTENTION ! Si l'appareil est utilisé d'une autre manière que celle décrite dans la notice, le produit pourrait être endommagé, la garantie devient caduque.

AVANT LE FONCTIONNEMENT

Instructions de déballage



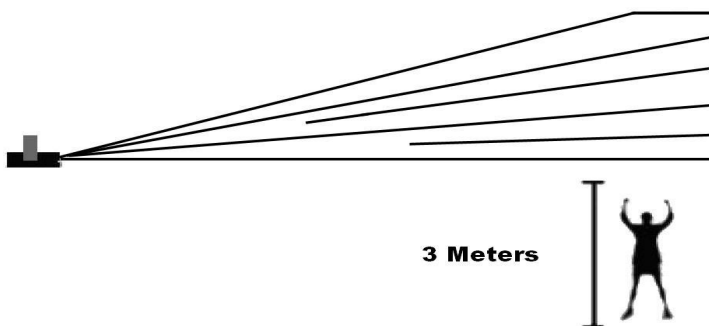
ATTENTION !

A réception de l'appareil, ouvrez avec précaution le carton, vérifiez le contenu pour vous assurer que tous les composants sont bien là et qu'ils sont en bon état. Emettez des réserves auprès du transporteur immédiatement si l'appareil présente des dommages ou si le carton présente des chocs. Conservez le carton et tous les matériaux d'emballage. Si l'appareil doit être retourné au fabricant, il est impératif de le faire dans le carton d'origine avec tous les composants.

Utilisation laser

Cet appareil est prévu pour être suspendu. Pour des raisons évidentes de sécurité, il faut utiliser, pour un montage correct, une élingue de sécurité et un crochet. N'hésitez pas à contacter votre revendeur pour acquérir les différents accessoires de montage indispensables.

La législation internationale en matière de lasers, exige que les lasers soient utilisés avec une distance minimale de 3 mètres entre le sol et le faisceau laser le plus bas. Voir dessin ci-dessous. De plus, une séparation horizontale de 2,5 m est nécessaire entre le faisceau laser et le public ou tout autre espace public.



ATTENTION : Une utilisation des commandes, réglages ou une gestion des procédures autres que celles décrites ici peuvent engendrer une exposition dangereuse aux rayons.

Installation de l'appareil

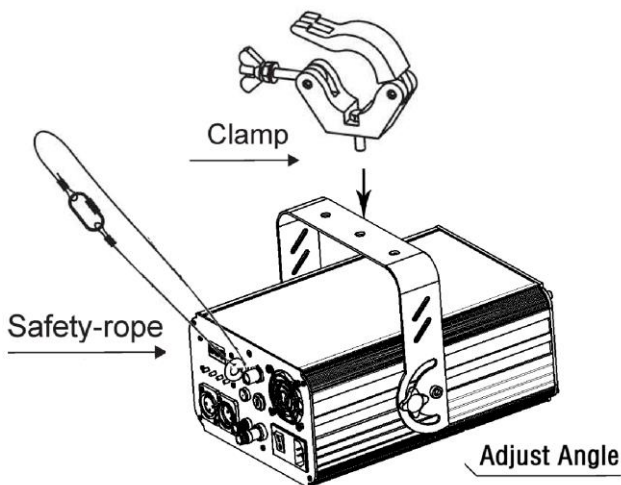
ATTENTION : Lors de l'installation, tenez compte des normes nationales respectives ! Seuls des revendeurs et installateurs habilités peuvent procéder à l'installation.

- L'installation de l'appareil doit être pensée et réalisée de telle sorte que le support de fixation puisse supporter 10 fois le poids de l'appareil pendant une heure sans aucune déformation.
- L'installation doit toujours être assurée par un second système de fixation, par exemple un filet ou une élingue. Ce second système doit être conçu de telle sorte que aucun élément de l'installation ne puisse tomber si la fixation principale venait à rompre.
- Assurez-vous que la zone sous l'emplacement de montage ne puisse pas accueillir de public

pendant le montage, le démontage et l'utilisation.

- Le responsable du fonctionnement doit faire approuver par un expert les conditions d'installation et d'utilisation de l'appareil avant la première mise en service et après tout changement.
- Le responsable du fonctionnement doit faire approuver par un expert les conditions d'installation et d'utilisation de l'appareil, une fois par an.
- L'appareil doit être installé de telle sorte que personne ne puisse l'atteindre, passer dessous ou être assis.

ATTENTION : Lorsque vous installez l'appareil, assurez-vous qu'il n'y a aucun matériau fortement inflammable (décorations par exemple) à 5 mètres au moins de l'appareil.



PRESENTATION PRODUIT

- Cet appareil a quitté les entrepôts en parfait état. Pour le conserver ainsi et garantir un bon fonctionnement, il est impératif de suivre les instructions de la présente notice.
- Le fabricant ne saurait être tenu responsable en cas de dommages causés par le non respect des instructions de cette notice ou par la modification non autorisée

de l'appareil.

CONTROLE ET UTILISATION

- Des pauses régulières pendant le fonctionnement sont essentielles pour optimiser la durée de vie de l'appareil, il n'est pas conçu pour une utilisation continue.
- N'allumez pas et n'éteignez pas l'appareil à de brefs intervalles.
- Débranchez toujours l'appareil en cas de non utilisation prolongée, avant de remplacer la lampe ou procéder à un entretien.
- En cas de problèmes pendant le fonctionnement, éteignez l'appareil et contactez votre revendeur.



Attention le rayonnement laser est émis par l'ouverture 5 secondes après la mise sous tension de l'appareil.

MAINTENANCE

- - Pendant la maintenance de l'appareil, la zone située sous celui-ci doit être dégagée de toute personne étrangère à cette maintenance.
 - - Éteignez l'appareil, débranchez le câble d'alimentation et attendez le refroidissement de l'appareil.
 - Les boîtiers, fixations et points de fixation (plafond, armature, suspensions) ne doivent pas être déformés
 - Les cordons d'alimentation doivent être intacts et seront obligatoirement remplacés si le moindre problème est détecté.
 - Pour protéger l'appareil de l'a chaleur, les ventilateurs et ouïes de ventilation doivent être nettoyés tous les mois.
 - Le nettoyage intérieur et extérieur des verres optiques et miroirs doit être réalisé fréquemment afin d'optimiser le rendement de l'appareil. La fréquence de nettoyage dépend de l'environnement d'utilisation de l'appareil : l'humidité ou la poussière ambiante accélère le dépôt de salissure sur les optiques
- 4) Nettoyez à l'aide d'un chiffon doux et de produits pour les vitres.
 - 5) Séchez précautionneusement toutes les parties.
 - 6) Nettoyez le verre de l'ouverture tous les 30 jours au moins.
 - 7) Nettoyez l'intérieur de l'appareil une fois par an avec un aspirateur ou compresseur.

ATTENTION : Nous recommandons fortement que le nettoyage intérieur soit fait par un technicien qualifié !

Tout droit de modification réservé sans notification préalable.

Disponibilités des composants selon les pays. Contactez votre revendeur.

Attention! *L'utilisation en France est autorisée à l'utilisateur professionnel et non le consommateur. Consultez le décret: www.legifrance.gouv.fr*